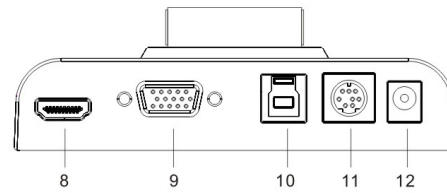
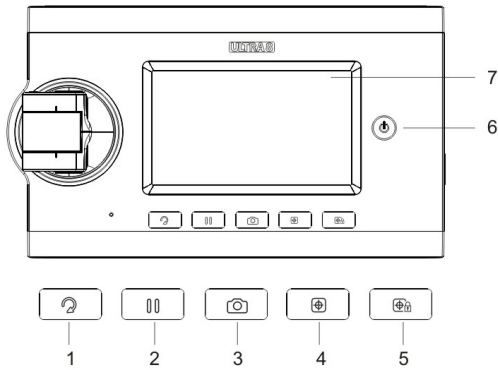
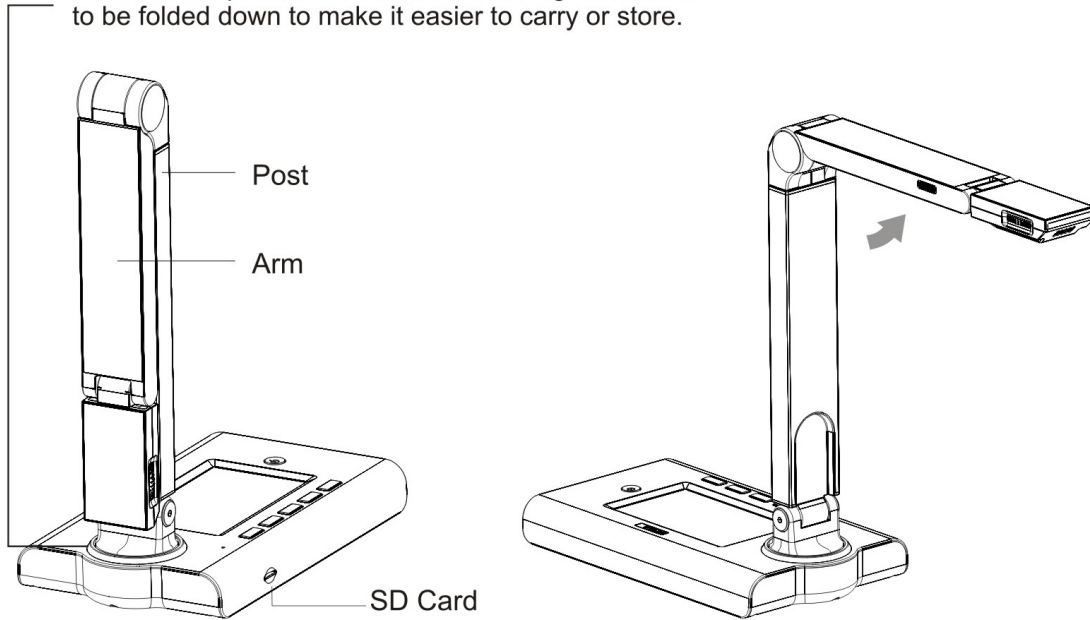
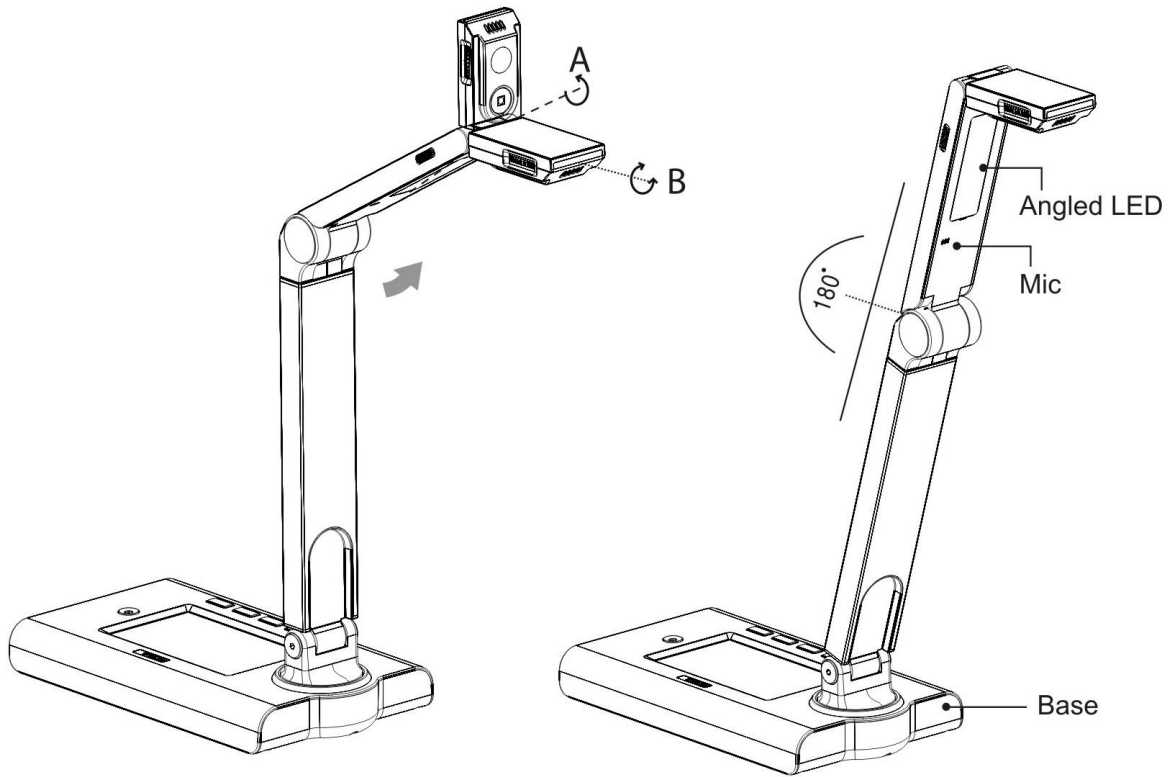


Between the post and base there is a hinge that allows the Ultra 8 to be folded down to make it easier to carry or store.



- |               |                 |
|---------------|-----------------|
| 1. Rotate     | 7. Touch Screen |
| 2. Freeze     | 8. HDMI         |
| 3. Snap Shot  | 9. VGA          |
| 4. Focus      | 10. USB 3.0     |
| 5. Focus Lock | 11. RS-232C     |
| 6. Power      | 12. DC-In       |



The camera head may be flipped up and down by the connecting hinge. It can also rotate 90° counter-clockwise or 270° clockwise along the connecting hinge.

\*When rotating or flipping the camera head, do not force the camera head in any direction if there is resistance.